

Feature			
1.1	Manufacture	MIMA	MiMA
1.2	Model	MQK30	1MQK30
1.3	Power Type	Battery	Battery
1.4	Drive Style	Seated	Seated
1.5	Rated Load	Q(kg)	3000
1.6	Load Center	C(mm)	500
1.7	Front Overhand	x(mm)	367
1.8	Wheel Base	y(mm)	1015
Weight			
2.1	Service Weight (with battery)	kg	7900
Wheel			
3.1	Tires Types, drive/load	Solid Rubber Wheel	Solid Rubber Wheel
3.2	Load Wheel Size	in/mm	15×6-11.25/φ381×152
3.3	Drive Wheel Size	in/mm	18×9-12.125/φ457×229
3.5	Tires Quantities, front/rear (x= drive wheel)		2X/2
3.6	Wheel Tread, drive side	b10(mm)	1170
Size			
4.1	Mast Tilting, forward/backward	α/β(°)	1/3.5
4.2	Mast Closed Height	h1(mm)	2735
4.3	Free Lift Height	h2(mm)	1375
4.4	Lift Height	h3(mm)	6000
4.5	Mast Extended Height	h4(mm)	7360
4.7	Overhead Guard Height(with/without light)	h6(mm)	2650/2515
4.8	Seat Height	h7(mm)	1340
4.9	Leg Height	h8(mm)	/
4.10	Overall Length	l1(mm)	2520
4.11	Overall Width	b1(mm)	1640
4.12	Diameter of No-load Rotation in Situ	WK(mm)	2800/2900
4.13	Forks Size	l/e/s(mm)	920/150/50
4.14	Forks Carriage Width	b5(mm)	1600
4.15	Forks Outside Distance	b3(mm)	460~1400
4.16	Side Shift Distance	b4(mm)	±100
4.17	Length to Fork Face	l2(mm)	1600
4.18	Min. Ground Clearance	m1(mm)	100
Performance			
5.1	Side Walking Speed, full load/no load	km/h	7~8
5.2	Straight Walking Speed, full load/ no load	km/h	9~10
5.3	Lifting Speed, full load/ no load	mm/s	200/240
5.4	Lowing Speed, full load/no load	mm/s	300/240
5.5	Max Gradeability of Side Walking, full load/no load (S2-5min)	%(tanθ)	10/10
5.6	Max Gradeability of Straight Walking, full load/no load (S2-5min)	%(tanθ)	10/10
5.7	Brake Type	Electromagnetic	Electromagnetic
Drive			
6.1	Drive Motor (S2-60min)	kw	7AC
6.2	Lift Motor (S3-15%)	kw	12.8AC
6.3	Lithium Battery, voltage/ capacity	V/Ah	48/600
6.4	Battery Weight	kg	450
6.5	Steering System	Electric Steering	Electric Steering
Other			
7.1	Battery Replacement Type	Hoist	Hoist

# MQK30

## Electric Multi-Directional Counterbalanced Forklift Trucks

**Load Capacity: 3000kg**

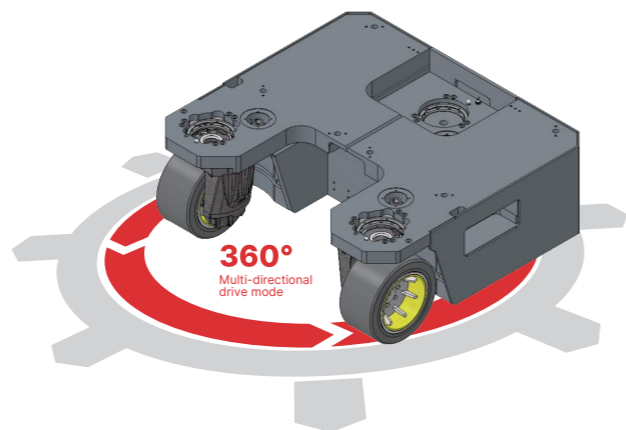




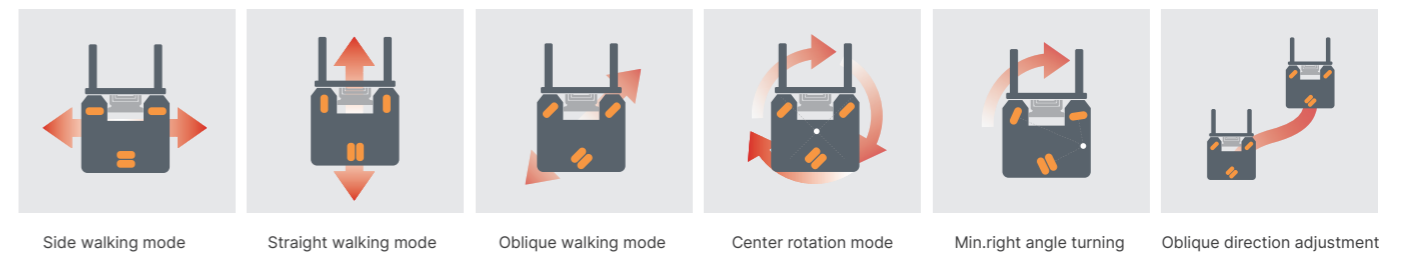
## ELECTRIC MULTI-DIRECTIONAL COUNTERBALANCED FORKLIFT TRUCKS-MQK30

MiMA has launched a new multi-directional counterbalanced forklift MQK30, which has the advantages of both counterbalanced forklift and multi-directional reach trucks. Compared with traditional counterbalanced forklift trucks, it reduces the stacking channel, side-running mode with high flexibility. Compared with multi-directional reach forklift, improved the stacking efficiency, which do not remove the mast forward, very suitable for indoor and outdoor working conditions. MQK30 with continuous transport of goods, long material and ordinary pallet cargo handling and stacking, it is a multifunctional forklift with excellent operation performance, high efficiency and more comfortable. 360° multi-directional driving mode, adapt to complex working conditions, flexibility and efficiency. Continuous operation mode without stopping, flexible and convenient direction switching, efficient and fast handling of goods. Compact body design with good passability, easy to carry long materials through the workshop door and other narrow spaces.

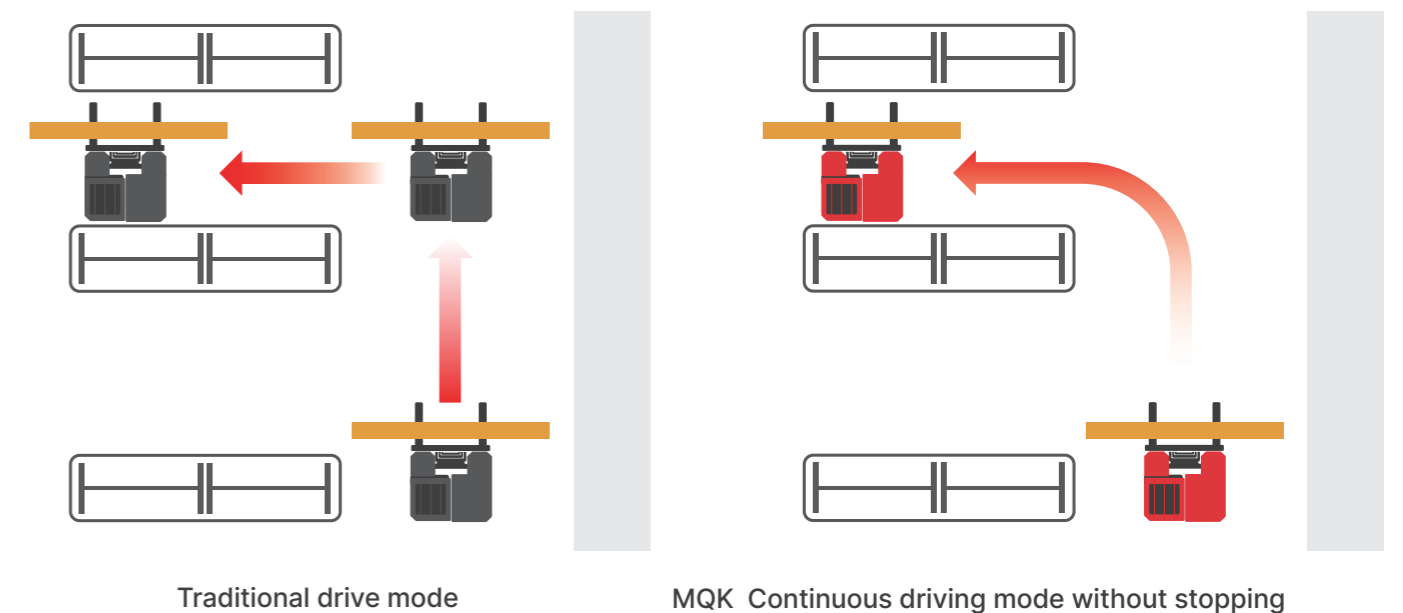
- Combined counterbalance forklift and reach trucks advantages
- 360 degree multi-directional drive mode+ Continuous driving mode without stopping
- Long material and ordinary pallet cargo handling and stacking
- Compact body design



Model	MQK30	1MQK30
Rated capacity(kg)	3000	3000
Max. lifting height(mm)	3000-8000	3000-8000
Overall width(mm)	1640	1540
Overall length(mm)	2520	2560
Wheel quantities, front/rear (x=drive wheel)	2X/2(three point)	2X/1(three point)
Forks outside distance(mm)	460-1400	400-1400
Voltage/capacity(V/Ah)	48/600	48/600
Drive type	Seated	Seated
Max drive speed	10km/h	10km/h



### Free and Flexible Continuous Driving Mode without Stopping



Traditional drive mode

MQK Continuous driving mode without stopping