

UNITED

Forklift and
Access Solutions



ATHENA

870

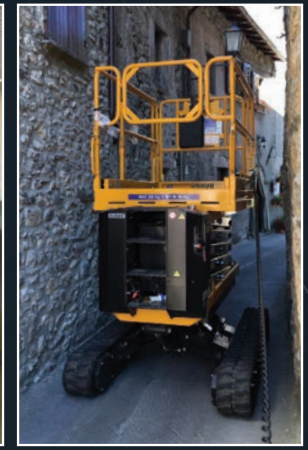
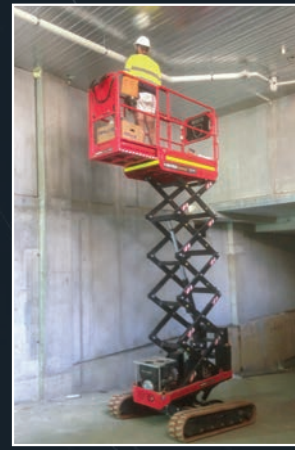
BL, EVO, BI-ENERGY



**TAKES ON CHALLENGING TERRAIN
LIKE NO OTHER SCISSOR LIFT
ON THE MARKET**



UNITED It's all about you



Athena 870 BL

Athena 870 EVO

Athena 870 Bi-Energy

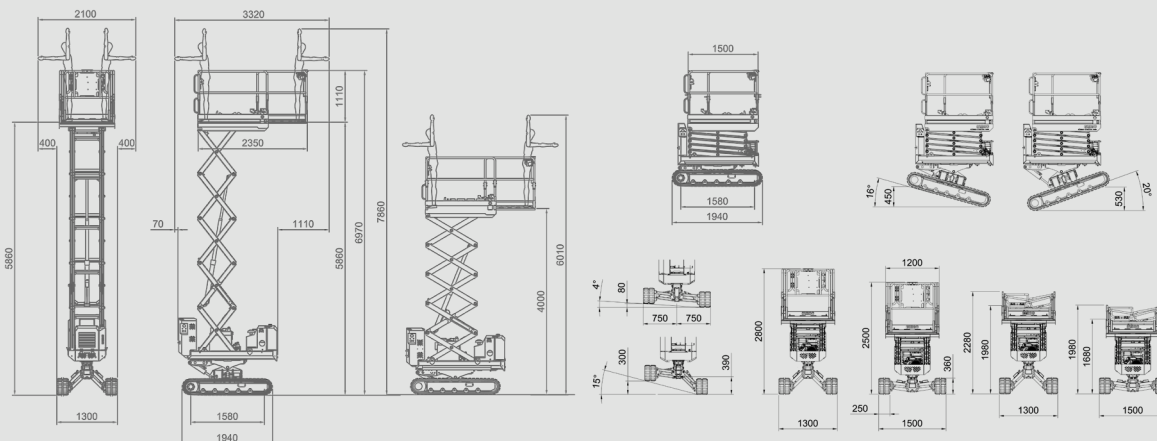
Basket capacity	250 kg (2 op.)	250 kg (2 op.)	250 kg (2 op.)
Basket size	1.50 x 1.20 m	1.50 x 1.20 m	1.50 x 1.20 m
Max working height	7.9 m	7.9 m	7.9 m
Moving height platform floor	5.9 m	5.9 m	5.9 m
Moving height	6.0 m	6.0 m (5.0 m)*	6.0 m
Powered Standard	Diesel Hatz 1B40	Diesel Kubota Z482	Lithium-Ion Power Pack / Diesel Hatz 1B40
Accelerator	Automatic	Automatic	-
Undercarriage	Bi-Levelling	Bi-Levelling	Bi-Levelling
Basket levelling	Automatic	Automatic	Automatic
Longitudinal levelling front	+/- 16°	+/- 16°	+/- 16°
Longitudinal levelling rear	+/- 20°	+/- 20°	+/- 20°
Lateral levelling	+/- 15°	+/- 15°	+/- 15°
Power generator (option)	220V-1kW	220V-1kW	-
Electric motor (option)	220V-2.2kW	220V-2.2kW	-
Hydraulic commands	Proportionals	Proportionals	Proportionals
Direction-control system	Yes	Yes	Yes
Easy-drive system	Yes	Yes	Yes
Kit for high speed	Max 2.20 km/h	Max 2.40 km/h	Max 2.20 km/h
Ground emergency	Yes	Yes	Yes
Control of inclination	Automatic	Automatic	Automatic
Pro-active levelling	-	Yes	Yes
Gradeability	25°	25°	25°
Side slope	21°	21°	21°
Length	1.94 m	2.14 m	2.03 m
Width	1.30 ÷ 1.50 m	1.30 ÷ 1.50 m	1.30 ÷ 1.50 m
Minimum machine height with folded railings and narrow tracks	2.28 (1.98) m	2.28 (1.98) m	2.28 (1.98) m
Minimum machine height with folded railings and wide tracks	1.98 (1.68) m	1.98 (1.68) m	1.98 (1.68) m
Total weight	2460 kg	2460 kg	2460 kg
Compliance	EN 280, ANSI, CSA, ASNZS1418	EN 280, ANSI, CSA, ASNZS1418	EN 280, ANSI, CSA, ASNZS1418

*Maximum working height with levelling permitted.

ATHENA 870 BL

DIMENSIONS

FEATURES



MAXIMUM WORKING HEIGHT
TRAVELLING NOT PERMITTED

MAXIMUM WORKING HEIGHT
WITH TRAVELLING PERMITTED



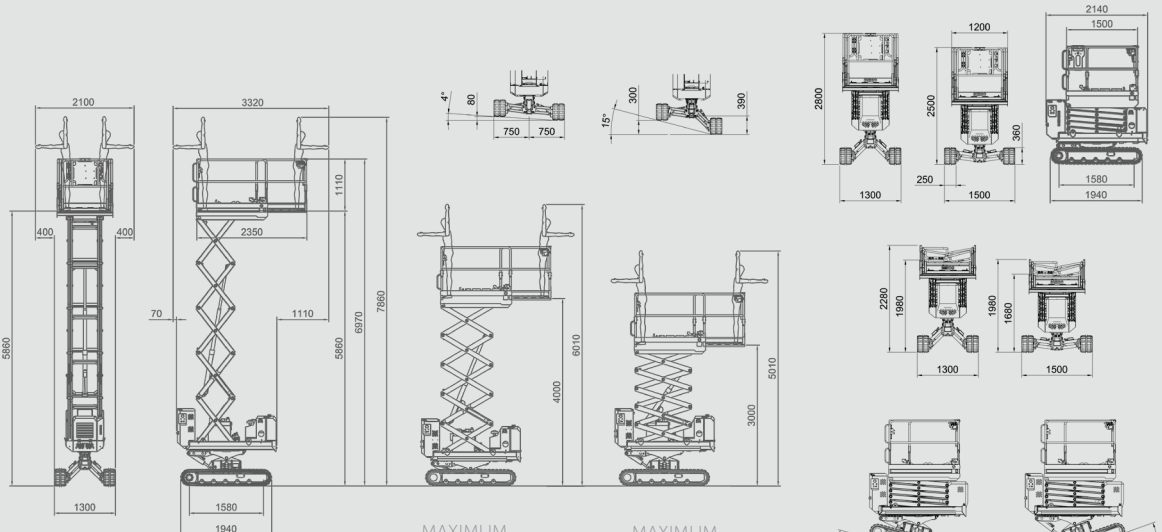
**Bi-Leveling
Technology**



**Automatic
Leveling***

ATHENA 870 EVO

DIMENSIONS



MAXIMUM WORKING HEIGHT
TRAVELLING NOT PERMITTED

MAXIMUM
WORKING HEIGHT
WITH TRAVELLING
PERMITTED

MAXIMUM
WORKING HEIGHT
WITH LEVELLING
PERMITTED



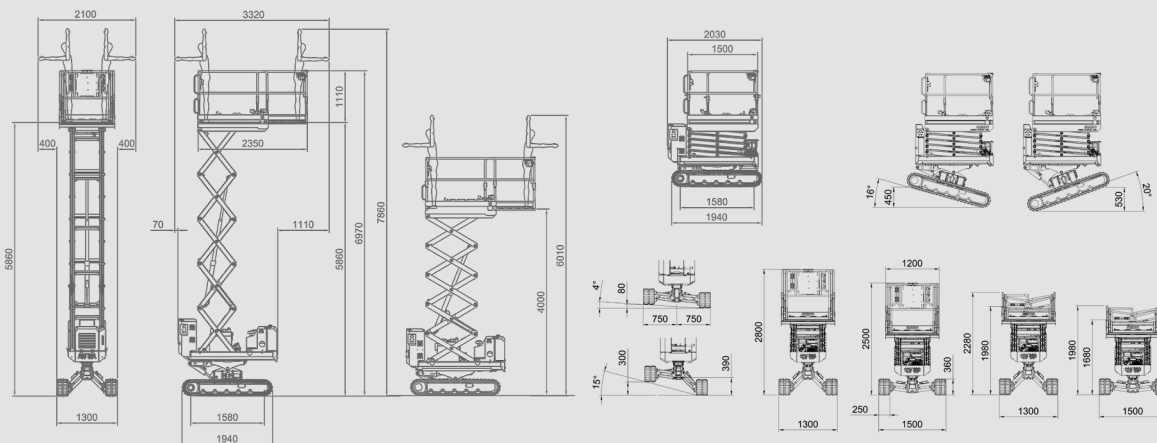
**Compact and
Versatile**



**High Powered
Diesel Engines**

ATHENA 870 BI-ENERGY

DIMENSIONS



MAXIMUM WORKING HEIGHT
TRAVELLING NOT PERMITTED

MAXIMUM WORKING HEIGHT
WITH TRAVELLING PERMITTED



**Intuitive
Controls**



**Extendable
Platform**

*Automatic levelling only available in the EVO model.

WE'RE UNITED BEHIND YOUR BUSINESS



T: 131 607

unitedequipment.com.au

SALES | RENTALS | SERVICE | PARTS | FINANCE | TRAINING

WE BRING MORE OF THE WORLD'S BEST TO YOU



KONECRANES

Haulotte

ALMACRAWLER



WA

Perth
Bunbury

NT

Darwin

SA

Adelaide

QLD

Brisbane
Mackay
Rockhampton

NSW

Sydney

VIC

Melbourne
Ballarat

TAS

Burnie