



EPT20-18EA

Electric Pallet Truck 1.8t

- **Delivery Truck:** The Last Mile Solution Truck
Customised for Half Pallet Handling, Dock Tail Trailer
- **Applicable Industry:** Mailing, Beverage, Food, Retail, Convenient Stores, etc.

EP EQUIPMENT CO.,LTD
www.ep-ep.com

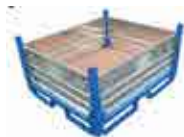


Electric Pallet Truck 1.8t EPT20-18EA

Distinguishing mark					
1.1	Manufacturer				EP
1.2	Model designation				EPT20-18EA
1.3	Drive unit				Electrics
1.4	Operator type				pedestrian
1.5	rated capacity	Q	lb.	kg	1800
1.6	Load center distance	c	in.	mm	600
1.7	Load distance	x	in.	mm	945
1.9	Wheelbase	y	in.	mm	1270
Weight					
2.1	Service weight (include battery)		lb.	kg	285
2.2	Axle loading, laden driving side/loading side		lb.	kg	770/1315
2.3	Axle loading, unladen driving side/loading side		lb.	kg	230/55
Types,Chassis					
3.1	Tyre type driving wheels/loading wheels				polyurethane/ polyurethane
3.2	Tyre size, driving wheels (diameter×width)		in.	mm	Φ230×75
3.3	Tyre size, loading wheels (diameter×width)		in.	mm	Φ74×88 / Φ80×60
3.4	Tyre size, caster wheels (diameter×width)		in.	mm	Φ85×48
3.5	Wheels, number driving, caster/loading (x=drive wheels)		in.	mm	1x+2/2 / 1x+2/4
3.6	Track width, front,driving side	b ₁₀	in.	mm	435
3.7	Track width,rear,loading side	b ₁₁	in.	mm	390/495/535
Dimensions					
4.4	Lift height	h ₃	in.	mm	115
4.9	Height drawbar in driving position min./max.	h ₁₄	in.	mm	715 / 1200
4.15	Lowered height	h ₁₃	in.	mm	85
4.19	Overall length	l ₁	in.	mm	1625
4.20	Length to face of forks	l ₂	in.	mm	475
4.21	Overall width	b ₁ / b ₂	in.	mm	645
4.22	Fork dimensions	s / e / l	in.	mm	50×150×1150
4.25	Distance between fork-arms	b ₅	in.	mm	540/645/685
4.32	Ground clearance, center of wheelbase	m ₂	in.	mm	35
4.34.1	Aisle width for pallets 1000 × 1200 crossways	Ast	in.	mm	1720
4.34.2	Aisle width for pallets 800 × 1200 lengthways	Ast	in.	mm	1920
4.35	Turning radius	Wa	in.	mm	1465
Performance data					
5.1	Travel speed, laden/ unladen	km/ h	mph	km/h	5.5/6
5.2	Lifting speed, laden/ unladen		fpm	m/ s	0.051/ 0.060
5.3	Lowering speed, laden/ unladen		fpm	m/ s	0.032/ 0.039
5.8	Max. gradeability, laden/unladen			%	6/16
5.10	Service brake type				Electromagnetic
Electric-engine					
6.1	Drive motor rating S2 60 min		hp	kW	1.1
6.2	Lift motor rating at S3 15%		hp	kW	0.84
6.3	The maximum allowed size battery		in.	mm	269×182×300
6.4	Battery voltage/nominal capacity K20			V/ Ah	2x 12/85
6.5	Battery weight		lb.	kg	25 x2
Addition data					
8.1	Type of drive control				AC
10.5	Steering type				Mechanical
10.7	Sound pressure level at the driver's ear			dB (A)	74

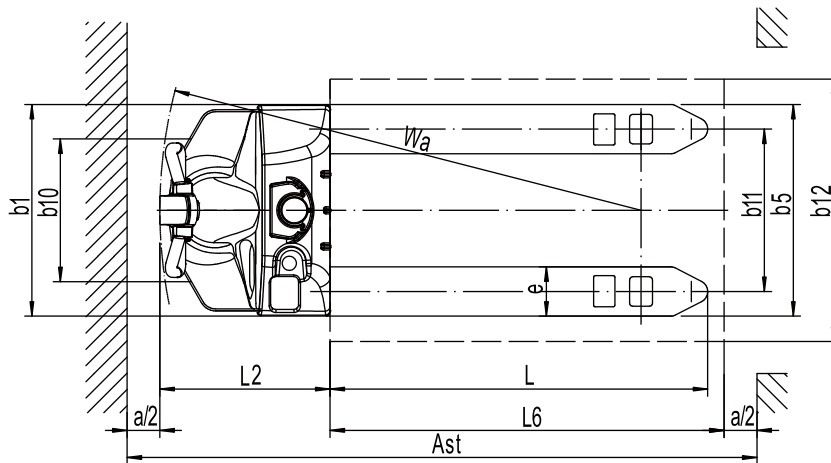
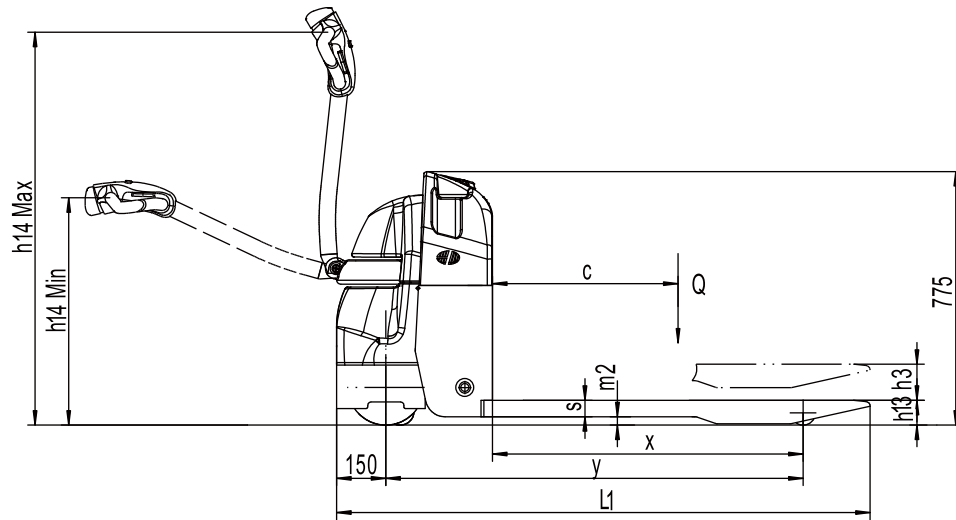
- 1.The parameters in the table are of the standard model. For more information, please contact us.
- 2.The parameters are subject to change without notice.

Solution Packages:





- World' s 1st Half Pallet Truck
- High Traction, Indoor and Outdoor Perfect Handling
- Long Battery Running Time, Larger Battery Installment Option, Full day Job Handling
- Small Turning Radius, Excellent Maneuverability Inside Trailer
- On-board Charger, Easy to Charge
- Customized Solution Available



Option

Options	EPT20-18EA
Fork length	• 850/915/1000/1150/1185/1220/1300/1450mm
Fork lowered height	• 85mm
Driving wheel	• Rubber
Balance wheel	•
high capacity battery	• 60AH/85AH/120AH
Cold storage	•
battery indicator with hour meter	•
water auto-filling system	•
Special backrest	• 1220mm (48in)/1520mm (60in)