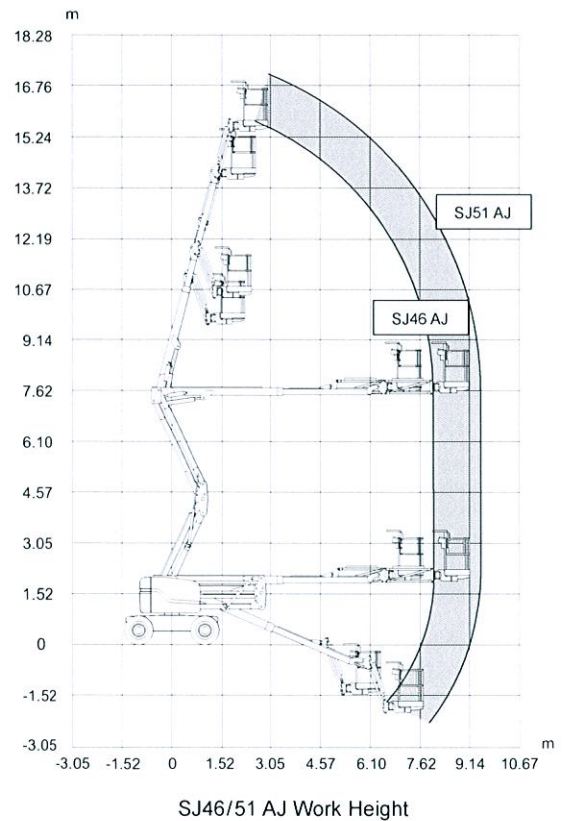
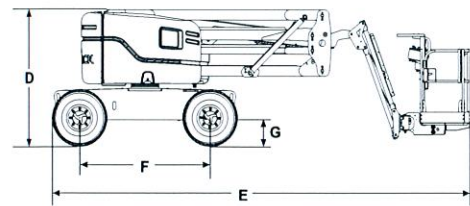
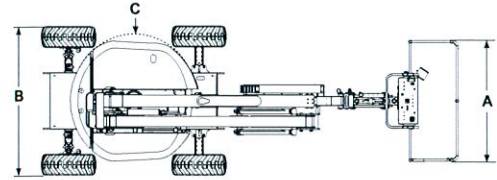


SJ46/51 AJ ARTICULATING BOOMS

Dimensions	SJ46 AJ	SJ51 AJ
Work Height	16.10 m	17.55 m
Platform Height	14.10 m	15.55 m
Horizontal Reach	7.54 m	9.03 m
Up and Over Height	7.45 m	7.45 m
A Platform Size	0.76 x 1.83 m	0.76 x 1.83 m
B Stowed Width	2.29 m	2.29 m
C Tailswing	Zero	Zero
D Stowed Height	2.06 m	2.06 m
E Stowed Length	6.35 m	7.10 m
F Wheelbase	2.03 m	2.03 m
G Ground Clearance	0.39 m	0.38 m

Specifications	SJ46 AJ	SJ51 AJ
Rotation	355° NC	355° NC
Platform Rotation	170°	170°
Jib Length	1.40 m	1.52 m
Jib Range +/-	+70° / -75°	+70° / -75°
Weight*	6,400 kg	7,050 kg
Gradeability	45%	45%
Turning Radius (Inside)	2.49 m	2.49 m
Turning Radius (Outside)	4.34 m	4.52 m
Axle Oscillation	12.70 cm	12.70 cm
Drive Speed (High speed)	7.7 km/h	7.7 km/h
Capacity	227 kg	227 kg
Local Floor Load (With Rated Load)	8.73 kg/sq cm	9.59 kg/sq cm
Overall Floor Load (With Rated Load)	1,030 kg/sq m	1,122 kg/sq m
Maximum # of Persons	2	2
Tyre Type	Foam-filled NM	Foam-filled NM
Tyre Size	12 x 16.5	12 x 16.5
Diesel Engine	Deutz D2011L03i 48 HP (36 KW)	Deutz D2011L03i 48 HP (36 KW)
Fuel Tank Capacity	64 L	64 L
Hydraulic Reservoir	91 L	91 L



Skyjack Australia Pty Ltd
 4 Coates Place
 Wetherill Park
 New South Wales, 2164
 Tel: +61 (0) 2878 63200
 Fax: +61 (0) 2878 63222
 Email: jcranmer@skyjack.com

www.skyjack.com

This brochure is for illustrative purpose only and based on the latest information at the time of printing. Skyjack Inc. reserves the right to make changes at any time, without notice, to specifications, standard and optional equipment. Consult the Operating Maintenance and Parts Manuals for proper procedures. AS marked platforms are in conformance to Standard AS/NZS 1418.10:2011.